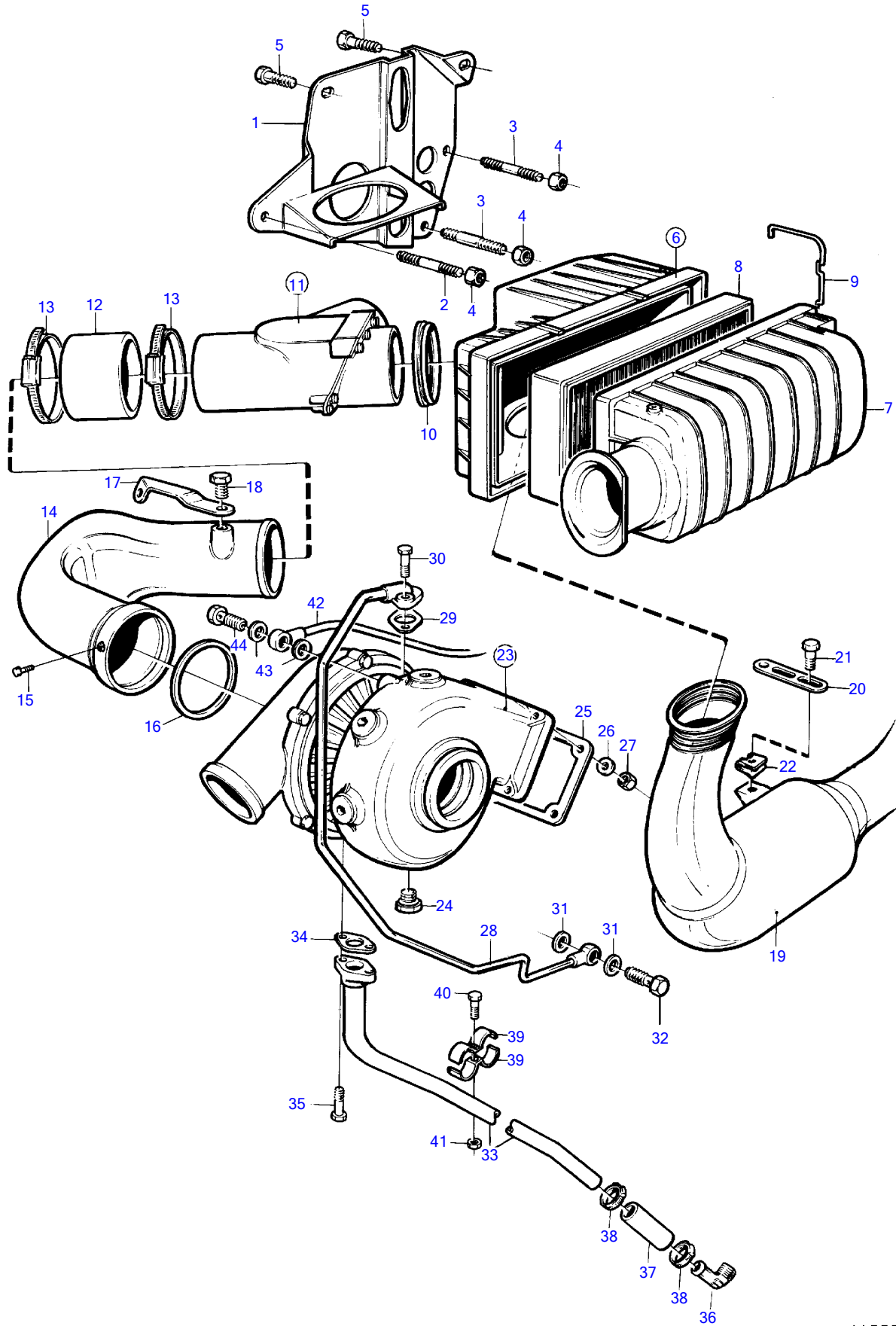


KAMD42A



KAMD42A

| REF | PART NO. | QTY | DESCRIPTION | SEE SEC. | NOTES |
|-----|----------|-----|--------------------|----------|--|
| 1 | 860397 | 1 | Bracket | | |
| 2 | 17378 | 1 | Stud | | L=170mm |
| 3 | 953002 | 2 | Stud | | L=125mm |
| 4 | 971095 | 3 | Flange nut | | |
| 5 | 946934 | 2 | Flange screw | | |
| 6 | 877416 | 1 | Air cleaner | | |
| 7 | 860798 | 1 | • Cardboard tube | | |
| 8 | 876185 | 1 | • Insert | | |
| 9 | 860799 | 2 | • Clip | | |
| 10 | 860504 | 1 | Sealing ring | | |
| 11 | 860402 | 1 | Check valve | | |
| 12 | 861092 | 1 | Hose | | (860507) |
| 13 | 961674 | 2 | Hose clamp | | |
| 14 | 860401 | 1 | Pipe | | |
| 15 | 941792 | 2 | Hex. socket screw | | |
| 16 | 976044 | 1 | O-ring | | |
| 17 | 860709 | 1 | Bracket | | |
| 18 | 965175 | 1 | Flange screw | | |
| 19 | 860389 | 1 | Hose | | Air filter-Compressor |
| 20 | 965537 | 1 | Bracket | | |
| 21 | | 1 | | | |
| 22 | 946331 | 1 | Spring nut | | |
| 23 | 3802070 | 1 | Turbocharger, exch | | Product no. 868238,868240,868241,868574,868587,868589. |
| | | | • Bulletin 44-46 | 44-46-EN | Upgrade Turbo for D41A amd D41B Engines |
| 23 | 3802070 | 1 | Turbocharger, exch | | Product no. 868598. |
| | | | • Bulletin 44-46 | 44-46-EN | Upgrade Turbo for D41A amd D41B Engines |
| 24 | 192134 | 1 | Plug | | |
| 25 | 859111 | 1 | Gasket | | |
| 26 | 955895 | 4 | Washer | | |
| 27 | 940183 | 4 | Hexagon nut | | |
| 28 | 838869 | 1 | Oil pressure pipe | | |
| 29 | 420641 | 1 | Gasket | | |
| 30 | 945444 | 1 | Flange screw | | L=25mm |
| | 946671 | 1 | Flange screw | | L=30mm |
| 31 | 969011 | 2 | Gasket | | |
| 32 | 25167 | 1 | Hollow screw | | |
| 33 | 838820 | 1 | Oil return pipe | | |
| 34 | 860105 | 1 | Gasket | | |
| 35 | 945444 | 2 | Flange screw | | |
| 36 | 843879 | 1 | Elbow nipple | | |
| 37 | 466328 | 1 | Rubber hose | | |
| 38 | 943474 | 2 | Hose clamp | | |
| 39 | 820851 | 2 | Clamp | | |
| 40 | 946544 | 1 | Flange screw | | |
| 41 | 945407 | 1 | Flange nut | | |
| 42 | 860215 | 1 | Air vent hose | | Turbo-thermostat housing |
| 43 | 11994 | 2 | Gasket | | |
| 44 | 969299 | 1 | Hollow screw | | |